

Class 250 • Outside Screw & Yoke • Rising Stem

Features

- Tapered Solid Wedge Disc
- Body Guide Ribs
- Non Asbestos Packing and Gaskets
- Bronze Stem
- Renewable Bronze Seat Rings
- ACME Double Stem Threads
- Valves can be equipped with by-passes when specified.
- Valves 6" and larger have bosses cast into the bodies and bonnets, and can be equipped with taps and drains to prevent fluids from accumulating and possibly causing damage. Orders must specify location of taps and drains.
- MSS-SP-70 Type 1 and MSS-SP-25 ANSI/ASME B16.10, ANSI/ASME B16.1

For more detailed features, refer to page 6.

Figure 7½E

Flanged with Bronze Trim

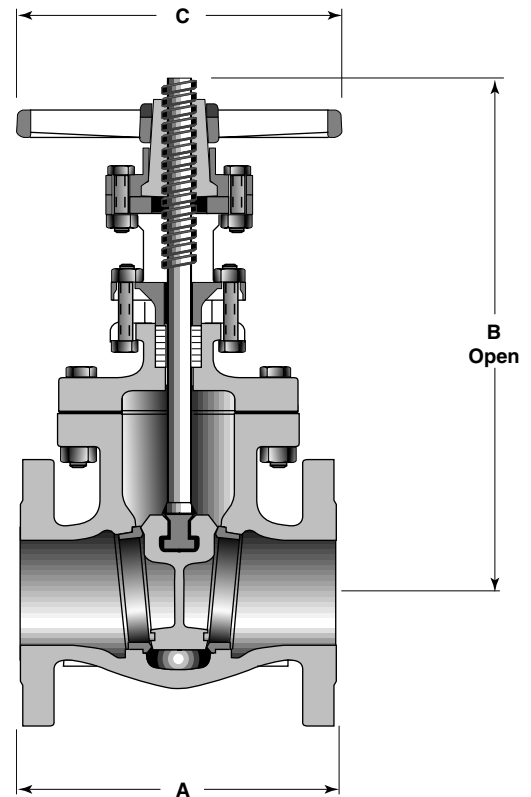
Size Range:

2 through 12 inches

Working Pressures Non-Shock

250 psi Steam, Basic Rating

500 psi Cold Working Pressure



Principal Parts & Materials

Fig. No.	Size	Stem	Seating	End Conn.
7½E	2" - 12"	Bronze	Bronze	Flanged

Dimensions and Weights

Inches (millimeters) - pounds (kilograms)

Valves	2 (50)	2 1/2 (65)	3 (80)	4 (100)	5 (125)	6 (150)	8 (200)	10 (250)	12 (300)
A	8.50 (216)	9.50 (241)	11.12 (282)	12.00 (305)	15.00 (381)	15.88 (403)	16.50 (419)	18.00 (457)	19.75 (502)
B	15.06 (383)	16.69 (424)	18.75 (476)	23.44 (595)	29.75 (756)	31.75 (806)	39.88 (1012)	52.75 (1378)	60.00 (1595)
C	8.00 (203)	8.00 (229)	10.00 (254)	12.00 (305)	14.00 (356)	16.00 (406)	18.00 (508)	22.00 (559)	24.00 (610)
Wt.	54 (24)	80 (36)	114 (52)	174 (79)	280 (127)	332 (150)	600 (272)	920 (418)	1400 (636)