



TITAN FLOW CONTROL, INC.

## BLOW-OFF DRAIN VALVE ♦ TWO-PIECE BALL VALVE

### WOG 600 ♦ BRONZE ♦ MALE x FEMALE THREADED ENDS

MODEL: **BV 60-BZ**  
(CAST BRONZE)

SIZE RANGE: 1/4" ~ 2"



## FEATURES

- ♦ **FULL PORT FLOW**  
FULL PORT DESIGN OFFERS COMPLETE AND RAPID CLEANING OF STRAINER SCREEN WITH MINIMAL PRESSURE DROP.
- ♦ **SIMPLE OPERATION**  
QUICK QUARTER TURN OPENS OR CLOSES VALVE. LOCKING HANDLE IS ALSO AVAILABLE.
- ♦ **DIRECT CONNECTION TO STRAINER**  
MALE THREADED ENDS MOUNT DIRECTLY INTO STRAINER BLOW-OFF CONNECTION FOR CONVENIENT BLOW DOWN CLEANING.
- ♦ **FACTORY INSTALLATION AS BLOW-OFF VALVE**  
BALL VALVE CAN BE PROFESSIONALLY INSTALLED TO A TITAN STRAINER AT OUR FACTORY, ENSURING QUALITY AND REDUCING SHIPPING AND LABOR COSTS.
- ♦ **RUGGED, HIGH QUALITY DESIGN**  
THE BV 60 FEATURES A CHROMIUM PLATED BALL, REINFORCED-PTFE SEAT, AND BLOW-OUT PROOF STEM DESIGN.



CAN BE PROFESSIONALLY INSTALLED  
AT THE TITAN FACTORY!

## TECHNICAL

PRESSURE/ TEMPERATURE RATING  
BRONZE ASTM B62

WOG (Non-shock): 600 PSI @ 100 °F  
Max Liquid: 80 PSI @ 400 °F  
Saturated Steam: 150 PSI @ 366 °F

SEAT MATERIAL  
TEMPERATURE RANGE

R-PTFE: -100 °F - 400 °F

1. The above listed temperatures are theoretical and may vary during actual operating conditions.

## APPLICATIONS

**SCREEN CLEANING:** DURING NORMAL USE, THE STRAINER SCREEN WILL BECOME CLOGGED WITH FOREIGN MATTER CAUSING THE DIFFERENTIAL PRESSURE TO INCREASE. ONCE THE DIFFERENTIAL PRESSURE HAS REACHED AN UNACCEPTABLE VALUE, BLOW-DOWN CLEANING IS RECOMMENDED. IT IS NOT ADVISABLE TO ALLOW THE DIFFERENTIAL PRESSURE TO INCREASE BY 20 PSI AS THIS MAY CAUSE THE SCREEN TO FAIL AND POSSIBLY DAMAGE DOWNSTREAM EQUIPMENT. IF THE DIFFERENTIAL PRESSURE IS NOT RESTORED TO NORMAL PARAMETERS AFTER BLOW-DOWN CLEANING THEN THE SCREEN MUST BE REMOVED AND CLEANED OR REPLACED.

*The above data represents common market and service applications. No representation or guarantee, expressed or implied, is given due to the numerous variations of concentrations, temperatures and flow conditions that may occur during actual service.*

## TITAN FLOW CONTROL, INC.

YOUR PIPELINE TO THE FUTURE!

Tel: 910-735-0000 ♦ Fax: 910-738-3848 ♦ titan@titanfci.com ♦ www.titanfci.com  
290 Corporate Drive ♦ PO Box 7408 ♦ Lumberton, NC 28358



TITAN FLOW CONTROL, Inc.

290 Corporate Drive  
Lumberton, NC 28358  
Tel: 910.735.0000

E-mail: titan@titanfci.com  
Web: www.titanfci.com  
Fax: 910.738.3848

**BLOW-OFF DRAIN VALVE BALL VALVE TYPE**

**BV 60-BZ (Cast Bronze)**

**Male x Female Ends Two-Piece Design**

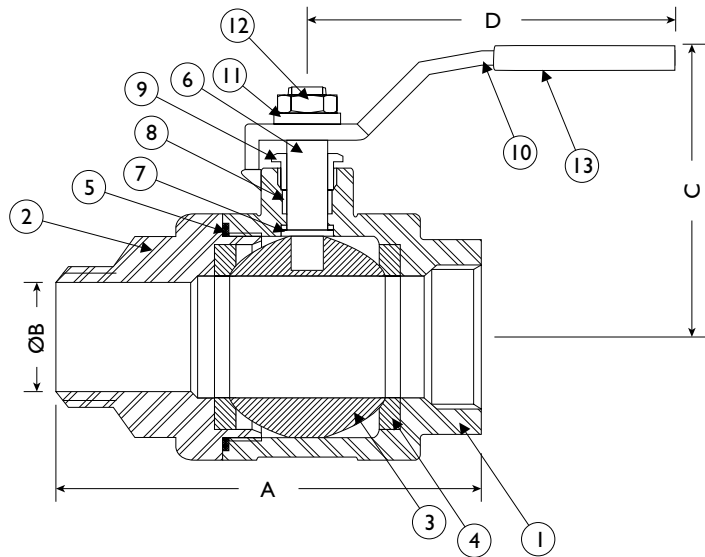
Working Pressure:  
**600 PSI**

**BILL OF MATERIALS (1)**

No.	PART	BV 60-BZ
1	Body	Bronze, ASTM B62
2	Cap	Bronze, ASTM B62
3	Ball	Brass, Chrome Plated
4	Ball Seat (2)	R-PTFE, 15% Glass Filled
5	Joint Gasket (2)	PTFE
6	Stem	Brass
7	Thrust Washer (2)	PTFE
8	Stem Packing (2)	PTFE
9	Gland Nut	Brass
10	Handle	T-304 SS
11	Spring Washer	T-304 SS
12	Stem Nut	T-304 SS
13	Plastic Cover	Plastic

- Equivalent or better materials may be substituted at the manufacturer's discretion.
- Denotes recommended spare parts.

Illustrations are for representational purposes only.  
Please ask for certified drawings when required.



**MALE X FEMALE  
THREADED ENDS**



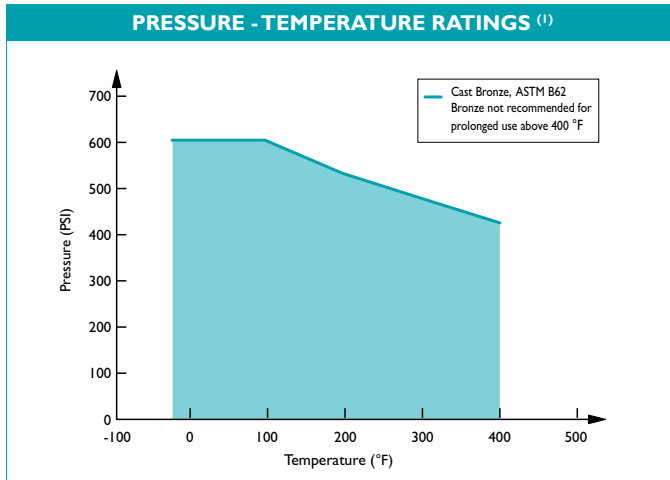
MALE END MOUNTS DIRECTLY IN THE STRAINER'S BLOW OFF CONNECTION

**DIMENSIONS AND PERFORMANCE DATA (1)**

SIZE	in	1/4	3/8	1/2	3/4	1	1 1/4	1 1/2	2
	mm	8	10	15	20	25	32	40	50
<b>A DIMENSION</b> FACE TO FACE (2)	in	1.75	1.75	2.17	2.64	3.15	C/F	4.32	4.78
	mm	44	44	55	67	80	C/F	110	121
<b>ØB DIMENSION</b> INSIDE DIAMETER	in	0.38	0.48	0.63	0.88	1.13	C/F	1.49	2.04
	mm	10	12	16	22	29	C/F	38	52
<b>C DIMENSION</b> HORIZONTAL CENTER LINE TO TOP OF HANDLE	in	1.7	1.7	1.7	2.12	2.25	C/F	2.825	3.25
	mm	43	43	43	54	57	C/F	72	83
<b>D DIMENSION</b> VERTICAL CENTER LINE TO END OF HANDLE	in	3.43	3.43	3.43	4.5	4.5	C/F	5.5	5.5
	mm	87	87	87	114	114	C/F	140	140
APPROXIMATE WEIGHT	lb	< 0.5	< 0.5	0.5	0.5	1	C/F	2.5	3.5
	kg	< 0.23	< 0.23	0.23	0.23	0.45	C/F	1.13	1.59
Flow Coefficient	C <sub>v</sub>	18	18	18	42	74	130	210	380

- Dimensions and weights are for reference only. When required, request certified drawings.
- Face to face values have a tolerance of ±0.06 in (±2.0 mm) for sizes 10" and lower and a tolerance of ±0.12 in (±3.0 mm) for sizes 12" and larger.

**PRESSURE - TEMPERATURE RATINGS (1)**



1. This chart displays the pressure versus temperature ratings for the valve's body.

**REFERENCED STANDARDS & CODES**

CODE	DESCRIPTION
ASME/ANSI B16.15	Cast Bronze Threaded Fittings

**PRESSURE - TEMPERATURE RATING**

Operating Conditions	Range
WOG (Non-shock):	600 PSI @ 100 °F
Saturated Steam:	150 PSI @ 366 °F
Max Liquid:	80 PSI @ 400 °F

**SEAT TEMPERATURE RATING**

Seat Material	Range
Reinforced-PTFE	-100 °F - 400 °F

Titan FCI makes every effort to ensure the information presented on our literature accurately reflects exact product specifications. However, as product changes occur, there may be short-term differences between actual product specifications and the information contained within our literature. Titan FCI reserves the right to make design and specification changes to improve our products without prior notification. When required, request certified drawings.