

## IC/SP

### INTERCHANGEABLE CARTRIDGE SCALD PROTECTION VALVE

## BENEFITS

- IC/SP temperatures up to 105°F meet ANSI Z258.1 standards
- Protects safety showers from over-temperature conditions, keeping personnel safe
- Primary protection or fail-safe backup
- Self operating, no power or signal required
- Long service life
- Fast response
- Discharges the minimum amount of water required

## DESIGN FEATURES

- Exclusive **Thermoloid**® thermal actuator
- Brass or stainless steel body, fittings, and plugs
- Compact and low-mass
- Corrosion resistant
- Ram type plug for reliable and tight shutoff
- Operates in narrow temperature band
- Two wrench flats for easy installation

## APPLICATIONS

A safety hazard for plant personnel will occur through solar radiation or overheating caused by steam or electric tracing resulting in extremely high temperatures at the point of use.

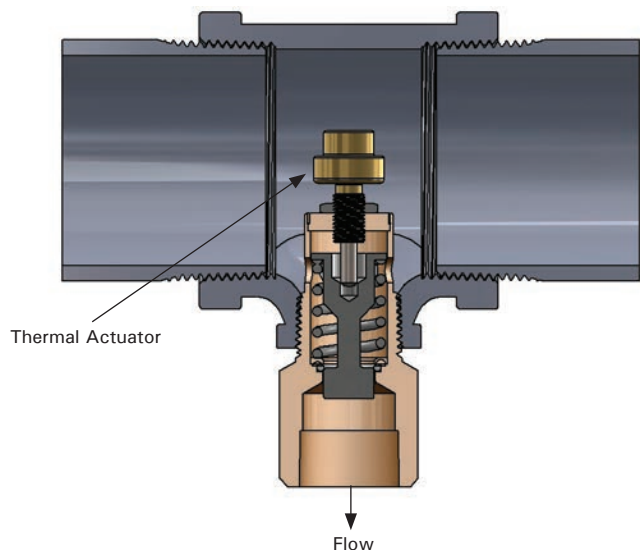
The **IC/SP** valve prevents this safety hazard. When installed in safety showers, eyewash stations, and other locations exposed to the same source of overheating as the system, the **IC/SP** will be heated just as the pipe system. The valve will open to establish flow until the over-temperature water is eliminated and it will then modulate closed.

## OPERATION

**IC/SP** valves are installed within the heated system. For example, the **IC/SP-105** will initiate flow when the thermostatic actuator senses water temperature of 98°F (36.7°C) and will remain open as long as the discharge water temperature is above 95°F (35°C).



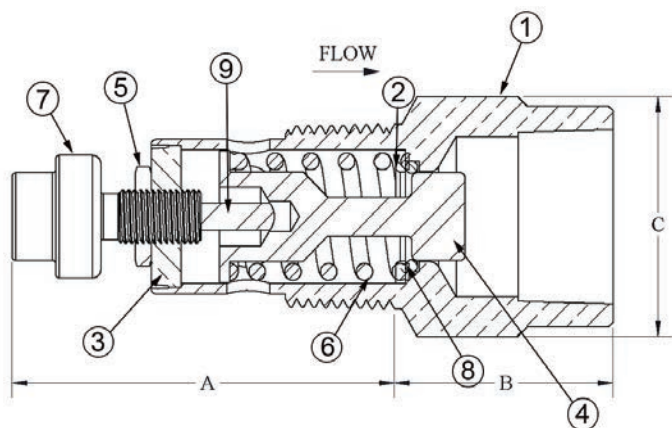
## TYPICAL INSTALLATION



# IC/SP

## INTERCHANGEABLE CARTRIDGE SCALD PROTECTION VALVE

### PARTS & MATERIALS



ITEM	DESCRIPTION	MATERIAL
1	CARTRIDGE BODY	Brass or 300 Series SS
2	SEAL RETAINER	Brass or 300 Series SS
3	ACTUATOR BUSHING	Brass or 300 Series SS
4	PLUG	300 Series SS
5	NUT	300 Series SS
6	OPERATING SPRING	300 Series SS
7	THERMAL ACTUATOR	Brass or 300 Series SS
8	SEAT SEAL	PTFE
9	PISTON	Brass or 300 Series SS

### DIMENSIONS & CAPACITIES

Connection	A		B		C		Weight		Z (Drain)	C <sub>v</sub>	Maximum Operating Pressure	Maximum Temperature
	in	mm	in	mm	in	mm	Lb	Kg				
3/4" NPT	2.3	58.7	1.3	33	1.4	35.6	0.5	0.2	3/4" NPT	1.3	100 PSIG (6.9 BAR)	300°F (149°C)

### ORDERING

Part Number	Description
195 - 000000 - XXX	3/4" IC/SP Cartridge
195 - 220000 - XXX	3/4" IC/SP SS Cartridge

#### NOTES

- Standard full open temperature, "XXX", is 105°F. Optional open temperatures, "XXX": 95°F, 100°F, 110°F, and 115°F.  
*a. Note: Closing temperature is typically 10°F below opening temperature.*
- A #20 mesh strainer is recommended.
- Warranty information disclosed at [www.thermomegatech.com/terms-conditions/](http://www.thermomegatech.com/terms-conditions/)



ThermOmegaTech®, Inc.  
 353 Ivyland Road  
 Warminster, PA 18974

1-877-379-8258  
[www.ThermOmegaTech.com](http://www.ThermOmegaTech.com)

IC/SP  
 5/1/2020

*Because of continuous improvements, ThermOmegaTech®, Inc. reserves the right to change the design and specifications without notice*