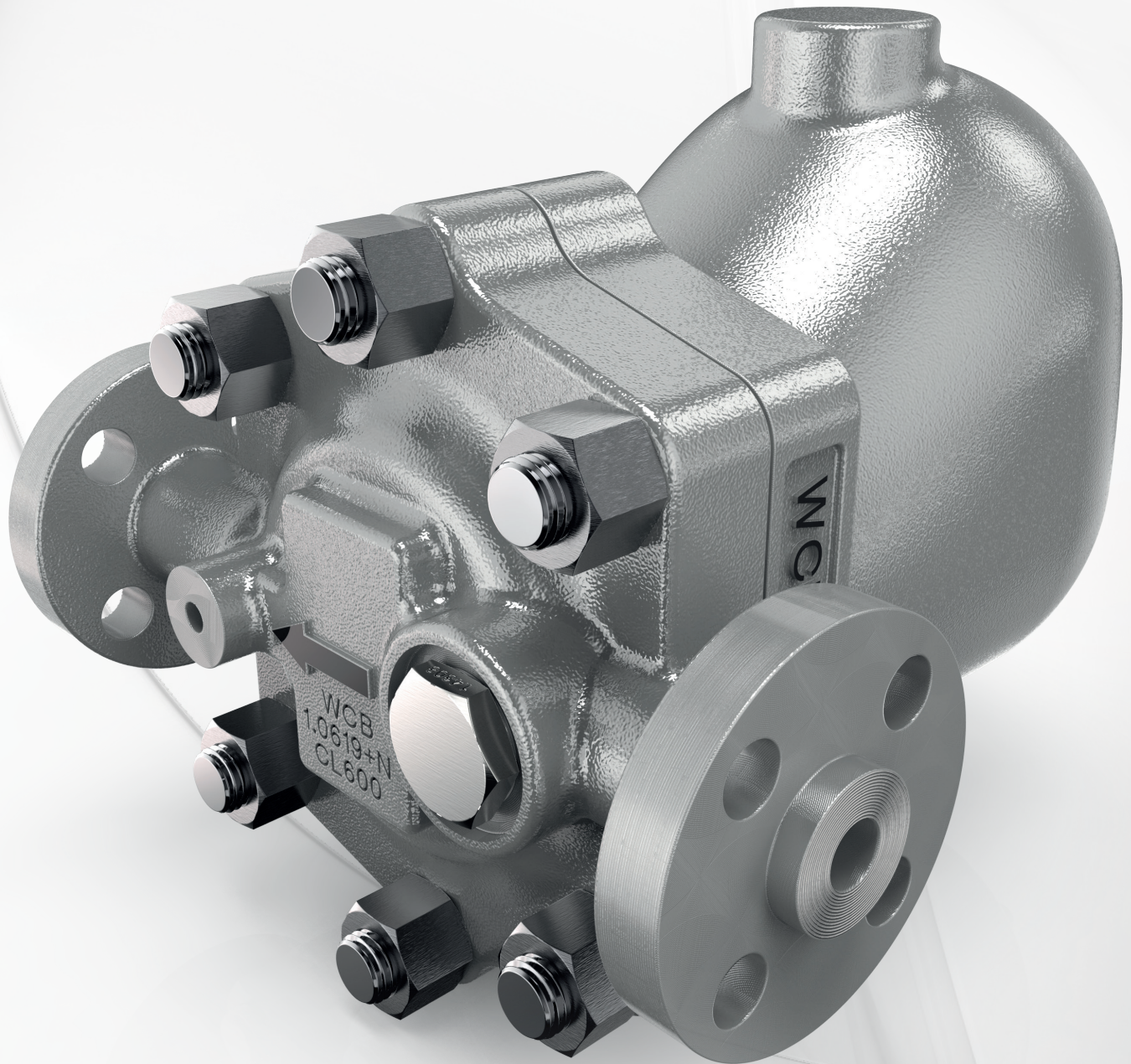


FTC62 and FTS62 high pressure float trap

The ideal solution for applications that require fast and efficient condensate removal, our new FT62 high pressure float trap is highly reliable and robust.

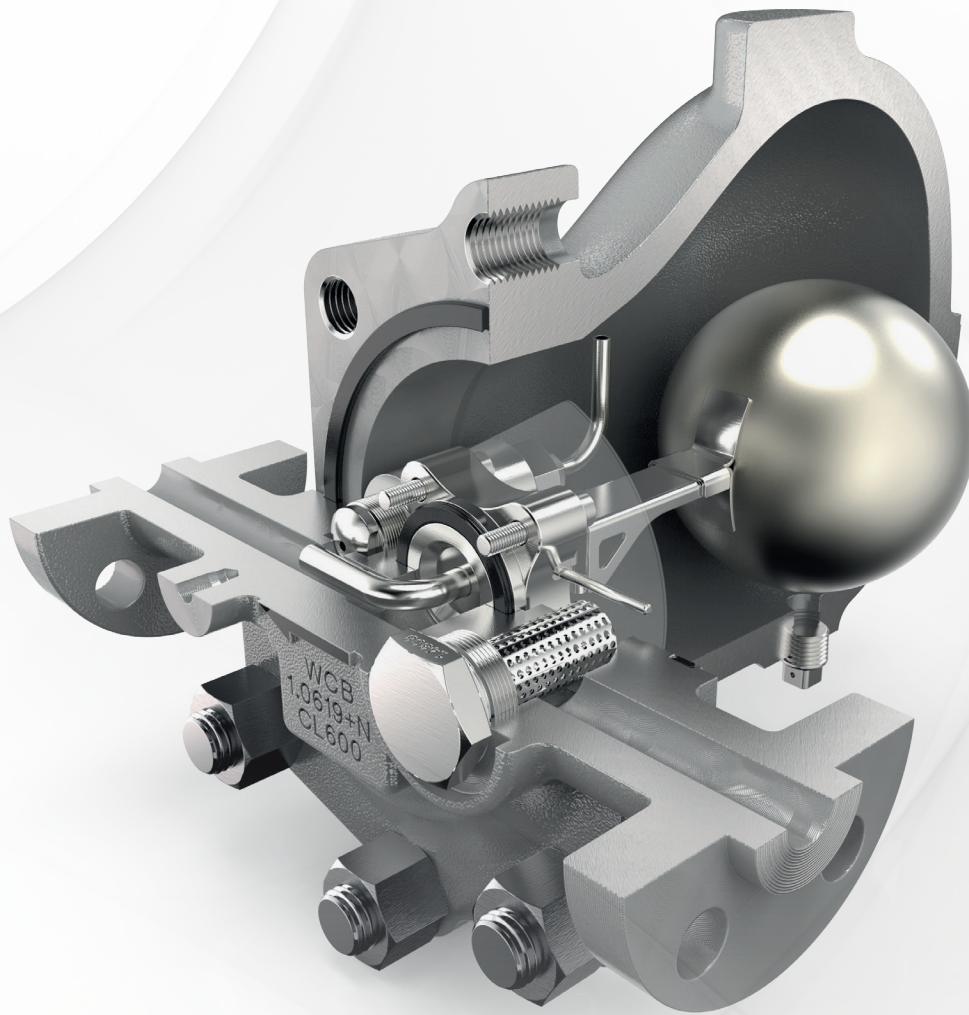
With features such as integral air vent and strainer the FT62 has been designed specifically for maintainable drainage of small, high pressure process applications.



First for Steam Solutions

EXPERTISE | SOLUTIONS | SUSTAINABILITY

spirax
sarco



Available range	Connections
½ - 1" (15 - 25mm)	Flanged ASME600, SW/Screwed

Features	Benefits
Carbon Steel/Stainless Steel Body	Robust materials for long service life
ASME600 Rated	Suitable for differential pressure up to 900 psig (62 bar)
Innovative Mechanism	High capacity and reliability
Integral Air Vent	Reduced process start up time and capable of handling superheat up to 797°F (425 °C)
In-line Maintainable Strainer	Protection from dirt and debris
Integral Flanges (ASME Class 600)	Adherence to oil & gas industry expectation



Spirax Sarco, Inc.
 1150 Northpoint Blvd., Blythewood, SC 29016
 T 1-800-883-4411
 spiraxsarco.com/global/us



STR1036