

**Part No:** 2797T-010

**Valves**

**Diaphragm Valve**

**Desc:** 1 PVC DIAPHRAGM VALVE SPIGOT PTFE/EPDM

**MSRP:** 556.31

**Part Code:** 270

**Weight(lbs):** 1.354

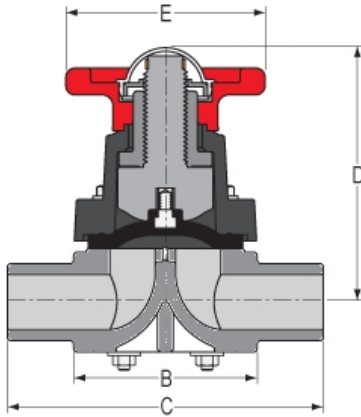
**Weight(kg):** 0.614

**Weight(gm):** 614

**Size:** 1"

**Color:** GRAY

**Material:** PVC



**B =** 3- 1/8

**C =** 5- 3/8

**D =** 4- 7/16

**E =** 3- 5/16

**Connection** Spigot

**Diaphragm Material** PTFE/EPDM

## Injection Molded Dimension References:

**G** = (LAYING LENGTH) intersection of center lines to bottom of socket/thread; 90° elbows, tees, crosses; ± 1/32 inch.

**H** = Intersection of center lines to face of fitting; 90° elbows tees, crosses; ± 1/32 inch.

**J** = Intersection of center lines to bottom of socket/thread; 45° elbows; ± 1/32 inch

**L** = Overall length of fittings; ± 1/16 inch.

**M** = Outside diameter of socket/thread hub; ± 1/16 inch.

**N** = Socket bottom to socket bottom; couplings; ± 1/16 inch.

**W** = Height of cap; ± 1/16 inch

## Typical Molded Dimension References

