

► **Code Number**

3912751

► **Description**

Exposed, AC-powered, sensor-activated, high-efficiency urinal flushometer with a single flush side mount unit for 3/4" top spud urinals.

► **Flush Cycle**

- Royal® 186-0.5 SFSM HW High-Efficiency (0.5 gpf/1.9 Lpf)

► **Specifications**

Quiet, exposed, diaphragm-type, chrome plated urinal flushometer with the following features:

- Infrared Sensor with Multiple-focused, Lobular Sensing Fields for high and low target detection
- ADA Compliant AC-powered infrared side mount sensor for automatic "No Hands" operation
- Chrome Plated Infrared Sensor Housing
- Can be Mounted on either the Left or Right Side of Valve
- True Mechanical Override Flush Button
- "User in View" Flashing LED
- 72-Hour Sentinel Flush
- Infrared Sensor Range Adjustment Screw and Reset Button
- 3/4" IPS screwdriver Bak-Chek® angle stop with vandal resistant stop cap
- Spud coupling and flange for 3/4" top spud
- Sweat Solder Adapter w/Cover Tube and Cast Wall Flange with Set Screw
- No External Volume Adjustment to Ensure Water Conservation
- Handle Packing, Main Seat, Stop Seat and Vacuum Breaker Molded from PERMEX® Rubber Compound for Chloramine resistance

Valve Body, Tailpiece and Control Stop shall be in conformance with ASTM Alloy Classification for Semi-Red Brass. Valve shall be in compliance with the applicable sections of ASSE 1037, ASME 112.18, ASME 112.19, ANSI 117.1. Installation conforms to ADA requirements.

► **Accessories (specify separately)**

120 VAC Input/6 VAC Output, 50/60 Hz (3 VA) Plug-In (will operate 1 unit)

120 VAC Input/6 VAC Output, 50/60 Hz (25 VA) Box Mount (will operate up to 6 units)

► **Fixtures**

Consult factory for matching Sloan brand fixture options.

► **Control Circuit**

Solid State

72 Hour Sentinel Flush

6 VAC/7.6 VDC Input

Urinal Range: 1-2 seconds Arming Delay



► **Smart Sense Technology™**

Sloan's SFSM flushometers are equipped with Smart Sense Technology™, which applies extended range and logic techniques to significantly reduce water usage in high-use urinal applications

► **Automatic Operation**

Sloan's SFSM flushometers are activated via multi-lobular infrared sensor. The sensor sets the flushing mechanism when the user is detected and Completes the flush when the user steps away.

► **Manual Operation**

Sloan's SFSM flushometers can also be activated manually by pushing the black TMO button.

► **Hygienic**

Touchless, sensor activation eliminates the need for user contact except to initiate the True Mechanical Override button when required, to help control the spread of infectious diseases. The 72-Hour Sentinel Flush keeps fixture fresh during periods of non-use.

► **Compliance & Certifications**



This space for Architect/Engineer Approval

► Sensor Type

Infrared Convergence Type Object Lock Detection

► Sensor Range

Factory Set at 22" - 42" (559 mm-1067 mm)

If Converted to Urinal Range Setting 15" - 30" (381 mm-762 mm)

► Transformers

Sloan Part # EL-386 (Plug-In) 120 VAC Input/6 VAC Output, 50/60 Hz (3 VA)

Sloan Part # EL-451 (Box Mount) 120 VAC Input/6 VAC Output, 50/60 Hz (25 VA)

► Indicator Lights

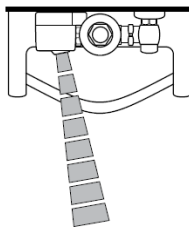
User in View

► Valve Operating Pressure (Flowing)

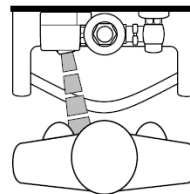
25-80 psi (172-552 kPa)

► OPERATION

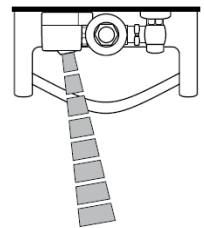
1. A continuous, invisible light beam is emitted from the object infrared sensor.



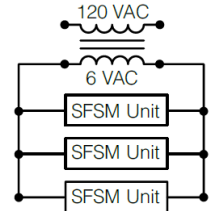
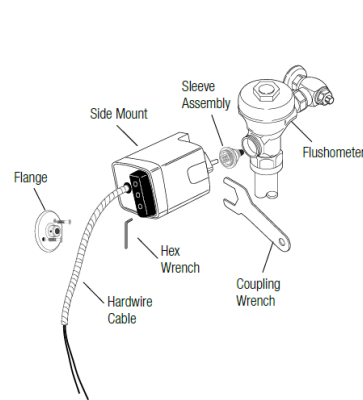
2. As the user enters the beams effective range, 22-42" (559-1067 mm), the object lock infrared sensor senses the user.



3. When the user steps away from the object lock infrared sensor, the circuit initiates the flushing cycle to flush the fixture. The circuit then automatically resets and is ready for the next user.



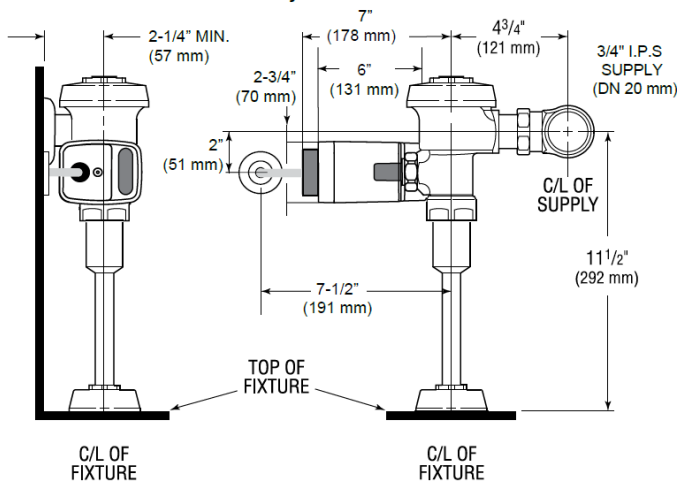
► SIDE MOUNT COMPONENTS



One EL-386 transformer serves one (1) SFSM closet/urinal flushometer. One EL-451 transformer serves up to six (6) SFSM closet/urinal flushometers. Specify part number and number of transformers required accordingly.

► ROUGH-IN

EL-700-A Single-Flush Side Mount Hardwired unit shown on a Royal 186 urinal flushometer



Side Mount Hardwired Unit Dimensions

