

Socket Weld Union

ISO 9001:2008 & PED Certified
Canadian Registered in all provinces

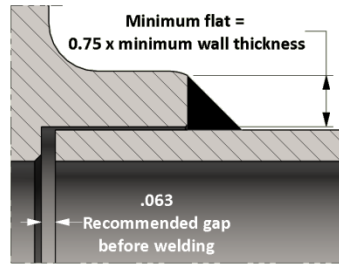
Specification: MSS-SP83 for 1/8"-3" Class 3000 only

Material: Available in a complete range of Carbon Steels, Stainless Steels, Alloy Steels and Non-ferrous metals certified to ASTM, ASME, and Military standards.

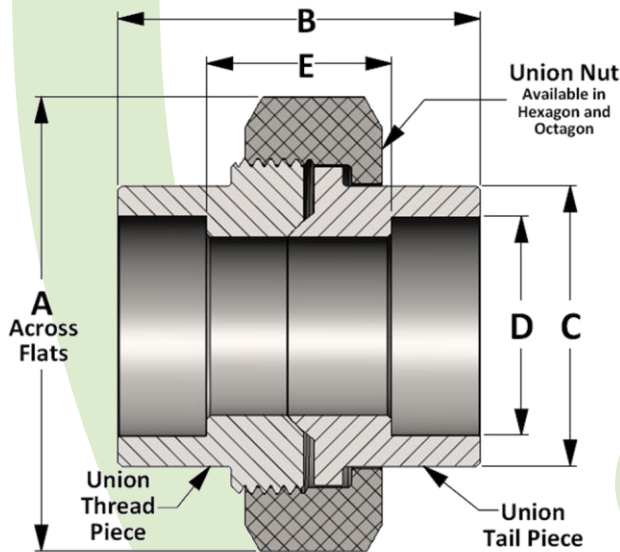
Sizes: 1/8"- 4" in CL 3000 • 1/8"- 3" in CL 6000 • 1/8"- 2-1/2" in CL 9000

Also available in reducing pipe sizes and tube sizes

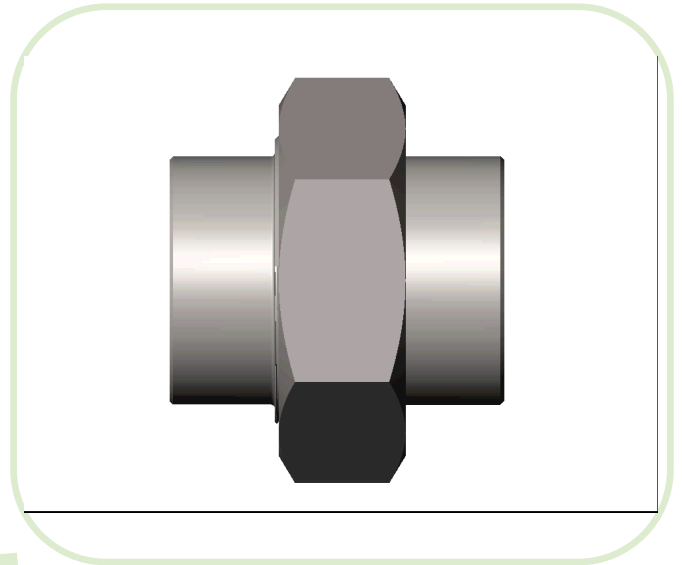
Welding Gap and Minimum Flat Dimension for Socket Weld Fittings



Socket Weld Pressure Class	Pipe Schedule
Class 3000	S80/XH
Class 6000	S160
Class 9000	XXH



Animated Model



All dimensions are in inches • Weights are based in Carbon Steel

CLASS 3000 – FIGURE NO. 13017

PIPE SIZE	1/8	1/4	3/8	1/2	3/4	1	1-1/4	1-1/2	2	2-1/2	3	4
A	1.375	1.375	1.625	1.813	2.250	2.562	3.063	3.438	4.063	4.875	5.688	6.875
B	1.688	1.688	1.813	1.938	2.250	2.438	2.813	3.000	3.375	4.031	4.313	8.000
C	0.865	0.865	1.025	1.235	1.465	1.795	2.165	2.425	2.965	3.615	4.305	5.415
D	0.426	0.560	0.693	0.859	1.071	1.335	1.682	1.922	2.410	2.910	3.536	4.545
E	0.813	0.813	0.938	0.938	1.125	1.188	1.438	1.500	1.625	2.250	2.313	5.000
LBS	0.40	0.38	0.52	0.73	1.19	1.66	2.66	3.42	5.36	9.12	12.58	17.50

CLASS 6000 – FIGURE NO. 16017

PIPE SIZE	1/8	1/4	3/8	1/2	3/4	1	1-1/4	1-1/2	2	2-1/2	3	4
A	1.375	1.625	1.813	2.250	2.562	3.063	3.438	4.063	4.875	5.688	6.875	---
B	1.688	1.813	1.938	2.250	2.438	2.813	3.000	3.375	4.031	4.313	8.000	---
C	0.865	1.025	1.235	1.465	1.795	2.165	2.425	2.965	3.615	4.305	5.415	---
D	0.426	0.560	0.693	0.859	1.071	1.335	1.682	1.922	2.410	2.910	3.536	---
E	0.813	0.813	0.938	0.938	1.125	1.188	1.438	1.500	1.625	2.250	5.750	---
LBS	0.48	0.56	0.75	1.35	2.01	3.17	3.92	6.60	10.12	14.00	40.891	---

CLASS 9000 – FIGURE NO. 19017

PIPE SIZE	1/8	1/4	3/8	1/2	3/4	1	1-1/4	1-1/2	2	2-1/2	3	4
A	1.750	2.000	2.250	2.563	3.063	3.688	4.313	5.000	5.750	6.875	---	---
B	2.500	2.563	2.938	3.250	3.750	4.000	4.625	4.813	5.563	6.25	---	---
C	1.000	1.250	1.500	1.750	2.250	2.500	3.000	3.625	4.250	5.000	---	---
D	0.426	0.560	0.693	0.859	1.071	1.335	1.682	1.922	2.410	2.910	---	---
E	1.720	1.688	1.938	2.000	2.375	2.375	3.000	2.938	3.188	3.750	---	---
LBS	0.89	1.045	1.955	3.29	5.34	7.99	12.73	18.34	26.36	37.07	---	---