

## 77FLF-100 Series

Full Port Threaded End Brass Ball Valve

### LEAD FREE



Job Name:	
Job Location:	
Engineer:	
Contractor:	
Tag:	
PO#:	
Rep:	
Wholesale Dist:	

### DESCRIPTION

The Apollo® 77FLF-100 Series is a lead free, full port forged brass ball valve suitable for a wide range of plumbing and heating applications, including potable water. These NPT threaded, 2-piece valves combine reliable operation with maximum economy. Valves include most pertinent agency approvals. Proudly Made in the USA.

### FEATURES

- Lead Free\* Materials and Approvals
- Heavy Pattern Forged Design
- Full-Port Flow
- Superior RPTFE Seats and Packing
- Adjustable Stem Packing
- Blowout-Proof Stem
- Dezincification Resistant Materials
- 100% Factory Tested
- Silicone Free Assembly
- **Made in USA, ARRA Compliant**

### APPROVALS

- MSS-SP-110 Ball Valves
- IAPMO/ANSI Z1157-2014e1
- CGA 3.16 (125 PSI)
- CGA CR91-002 (5 PSI)
- ANSI Z21.15/CSA 9.1 (1/2 PSI)
- ASME B16.44 (5 PSI)
- ASME B16.33 (125 PSI) (1/2" - 2")
- FM 1140 (1/4" - 2")
- UL Guides: YSDT, MHKZ, YQNZ, YRBX, YRPV, VQGU (1/4" - 2")
- NSF/ANSI 61 Water Quality
- NSF/ANSI 372 Lead Free

### STANDARD MATERIALS LIST

<b>BODY</b>	Lead Free Brass, C27451
<b>SEAT</b>	RPTFE
<b>BALL</b>	Lead Free Brass, C27451, Chrome Plated (4" is SS)xs
<b>STEM PACKING</b>	RPTFE
<b>NUT</b>	Corrosion Resistant Plated Steel
<b>STEM</b>	Lead Free Brass, C27451
<b>RETAINER</b>	Lead Free Brass, C27451
<b>HANDLE</b>	Plated Steel / Insulated Polyvinyl
<b>GLAND</b>	Brass, ASTM B16, C36000

### PERFORMANCE RATING

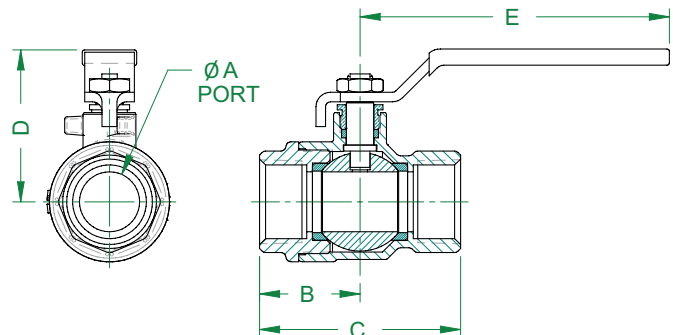
- Rating: 600 CWP (1/4" - 2")
- Rating: 400 CWP (2-1/2" - 4")
- Steam Rating: 150 psi SWP
- Temperature Range: 0°F - 400°F
- Vacuum Service to 29 in. Hg

### OPTIONS

- (-01) Standard Lever
- (-04) 2-1/4" Stem Extension 1/4" - 2-1/2"
- (-07) Tee Handle 1/4" - 2"
- (-11) Therma-Seal™ Insulating Tee Handle 1/4" - 2"
- (-27) Locking Handle SS 1/4" - 2-1/2"
- 77FLF140 Series - SS Ball & Stem

### DIMENSIONS

PART NUMBER	SIZE (IN.)	DIMENSIONS (IN.)					WT. (LB.)
		A	B	C	D	E	
77FLF-101-01	1/4"	0.38	0.81	1.62	1.61	2.85	0.3
77FLF-102-01	3/8"	0.38	0.85	1.70	1.61	2.85	0.3
77FLF-103-01	1/2"	0.50	1.14	2.25	1.66	2.85	0.5
77FLF-104-01	3/4"	0.75	1.29	2.57	1.91	3.86	0.8
77FLF-105-01	1"	1.00	1.60	3.20	2.11	3.86	1.3
77FLF-106-01	1-1/4"	1.25	1.73	3.46	2.44	4.75	2.1
77FLF-107-01	1-1/2"	1.50	2.00	4.00	2.91	5.42	3.2
77FLF-108-01	2"	2.00	2.37	4.74	3.69	7.77	5.6
77FLF-109-01	2-1/2"	2.50	2.99	5.98	4.14	7.77	12.8
77FLF-100-01	3"	3.00	3.52	7.05	5.03	9.92	19.7
77FLF-10A-01	4"	4.00	3.83	7.65	5.70	14.78	25.5



\*LEAD FREE: The wetted surfaces of this product shall contain no more than 0.25% lead by weighted average. Complies with Federal Public Law 111-380. ANSI 3rd party approved and listed.