

# 36ELF Series

Model PRE-LF - Pressure Reducing Valve

LEAD FREE

## SUBMITTAL SHEET

# "Apollo" Valves



Job Name:	
Job Location:	
Engineer:	
Contractor:	
Tag:	
PO#:	
Rep:	
Wholesale Dist.:	

### DESCRIPTION

The Apollo® Lead Free\* Pressure Reducing Valve Model PRE (36ELF Series) is designed to conserve water and protect water distribution systems by automatically reducing elevated supply pressures. The dezincification resistant bronze body, stainless steel adjusting screw and dielectric polymer cage provide maximum corrosion resistance. Designed for easy in-line servicing with simple cartridge removal.

### FEATURES

- Balanced Piston Design
- SS Adjusting Screw & Nut
- Sealed Cage for vault installations
- Built-in Thermal Expansion Bypass
- Large Area Integral Stainless Steel Strainer
- Modular Seat Disc and Strainer Cartridge
- Control Pressure Ranges: 15-75 psi and 75-150 psi
- High Flow / high efficiency design
- NPT, Solder, PEX, CPVC, Push & Press Connections
- Factory Tested and Preset at 60 psi
- Single Union, Double Union and Less Union Configurations Available
- 100% Manufactured in USA - ARRA Compliant

### PERFORMANCE RATING

- Maximum Supply Pressure: 400 psig
- Working Temperature Range: 33°F - 180°F

### APPROVALS

- NSF/ANSI 372 Lead Free
- NSF/ANSI 61 Water Quality
- ASSE 1003
- IAPMO/UPC
- CSA B356

### OPTIONS

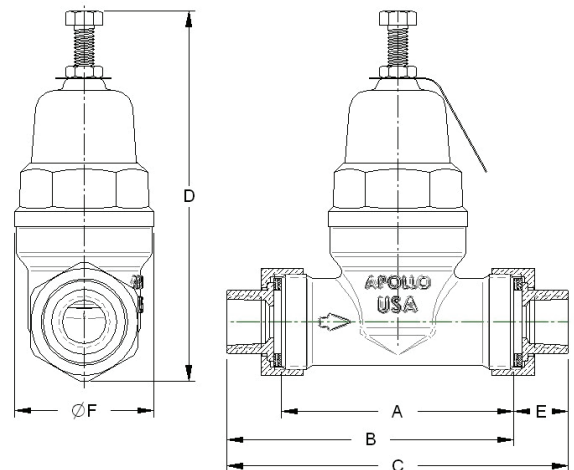
- (-B) - Bronze Cap 
- (36E) - with Standard Materials for Non-Potable Applications

### STANDARD MATERIALS LIST

BODY	Lead Free* Bronze, UNS 89836
UNION NUT	BRASS, ASTM B16
TAILPIECE	Lead Free* Brass, UNS C27451
SCREEN	Stainless Steel
CAP	Noryl™
DIAPHRAGM	NSF Grade EPDM
SEAT DISC	NSF Grade EPDM
ADJUSTING SCREW/NUT	Stainless Steel
SPRING	Stainless Steel, ASTM A228
O-RINGS	NSF Grade EPDM

### DIMENSIONS

Connect Type	Size (in.)	Dimensions (in.)						Single Union Wt.	Double Union Wt.
		A	B	C	D	E	F		
THREAD	1/2"	3-5/8	4-1/2	5-3/8	6	5/8	2-3/4	2.4	2.75
SOLDER	1/2"	3-5/8	4-1/2	5-1/2	6	1/2	2-3/4	2.4	2.75
PEX	1/2"	3-5/8	4-1/2	5-1/2	6	5/8	2-3/4	2.4	2.75
CPVC	1/2"	3-5/8	4-1/4	5	6	1/2	2-3/4	2.4	2.75
THREAD	3/4"	3-5/8	4-1/2	5-1/2	6	5/8	2-3/4	2.4	2.75
SOLDER	3/4"	3-5/8	4-1/2	5-1/2	6	3/4	2-3/4	2.4	2.75
PEX	3/4"	3-5/8	4-5/8	5-5/8	6	5/8	2-3/4	2.4	2.75
CPVC	3/4"	3-5/8	4-1/2	5-1/2	6	5/8	2-3/4	2.4	2.75
THREAD	1"	3-5/8	4-5/8	5-3/4	6	5/8	3-3/8	2.4	2.86
SOLDER	1"	3-5/8	4-5/8	5-3/4	6	7/8	3-3/8	2.4	2.86
PEX	1"	3-5/8	4-3/4	6	6	3/4	3-3/8	2.4	2.86
CPVC	1"	3-5/8	4-3/4	6	6	15/16	3-3/8	2.4	2.86



\*LEAD FREE: The wetted surfaces of this product shall contain no more than 0.25% lead by weighted average. Complies with Federal Public Law III-380. ANSI 3rd party approved and listed.

# 36ELF Series

Model PRE-LF - Pressure Reducing Valve

## SUBMITTAL SHEET

"Apollo" Valves

### FLOW CAPACITY

Pipe Size	Fall-Off (PSI)	Pressure Differential (PSI)		
		25	50	75
		GPM		
1/2"	10	10	13	16
	15	13	18	22
	20	17	23	29
	30	22	29	36
3/4"	10	16	21	26
	15	20	27	32
	20	24	32	40
	30	29	38	48
1"	10	14	31	37
	15	22	37	42
	20	28	41	46
	30	36	43	50

Note: Flow curves are based on static conditions of 100psi inlet pressure and 50 psi outlet pressure. Pressure differential is the difference between the supply pressure and adjusted outlet pressure measured in the static (closed) condition. Pressure fall-off is the decrease in downstream regulated pressure as the flow increases.

### PART NUMBER MATRIX

36ELF							
36E	1	X	X	X	X	X	X
SERIES	STYLE	UNION	SIZE	PRESSURE	CONNECTION	OPTION	
36ELF	1	0 - No Union (NPT)	3 - 1/2"	01 - 15-75 psig	T - FNPT Thread	B - Bronze Cap	
36E (non potable)	1	1 - Single Union	4 - 3/4"	03 - 75-150 psig	S - Solder		
		2 - Double Union	5 - 1"		C - CPVC		
					P - Push		
					X - PEX		
					PR - Press		