



CAST IRON FLANGED END BALL VALVE



AMERICANVALVE.COM



SPECIFICATIONS

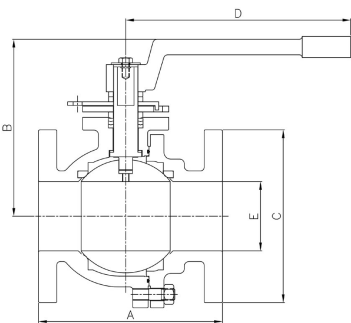
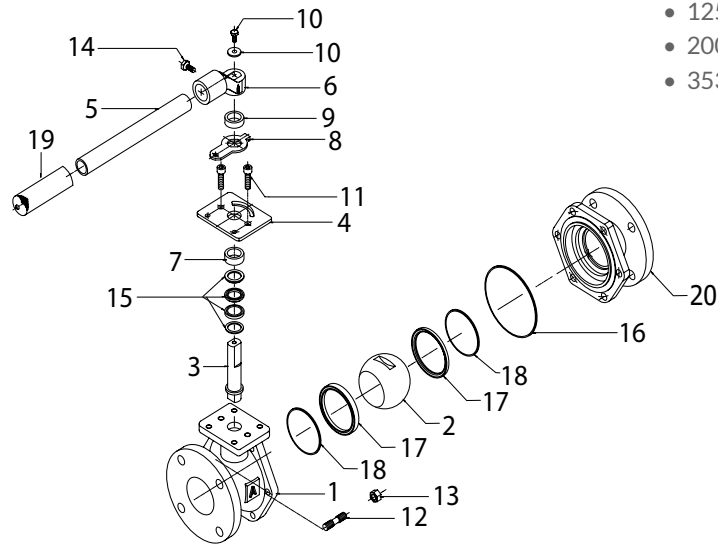
- A126 Class B Cast Iron Body
- PFA* Fused Solid Ball
- Blow-out Proof Stainless Steel Stem
- Reinforced PTFE Seats
- Face to Face and Flanged Dimensions conform to ANSI Standard B16.10 which exactly match end to end dimensions of all cast iron gate valves and plug valves
- Lockable in Full Open or Closed Positions
- ISO Mounting Pad for Easy Actuation
- Adjustable Length/Removable Handles to fit into areas of limited space
- Full Port through 6"
- Certified to meet the requirements of: NSF/ANSI 61 and NSF/ANSI 372 MSS SP-72 ANSI B16.10 FED. SPEC. WW-V-35 AWWA C507-99 (Proof of Design)

MATERIAL SPECIFICATIONS

	Part	Material	ASTM
1	Body	Cast Iron	ASTM A126 Class B
2	PFA* Fused Ball	Cast Iron	ASTM A48 Class-35
3	Stem	Stainless Steel	ASTM SA 479 -10a
4	Gland Plate	Steel	ASTM A53M
5	Handle	Steel	ASTM A53M
6	Handle Bracket	Stainless Steel	ASTM A536
7	Packing Follower	Stainless Steel	ASTM SA 479 -10a
8	Stem Indicator	Steel	ASTM A53M
9	Handle Bracket Spacer	Stainless Steel	ASTM SA 479 -10a
10	Stem Stud & Washer	Steel	ASTM A193
11	Gland Stud	Steel	ASTM A53M
12	Body Stud	Steel	ASTM A53M
13	Body Nut	Steel	ASTM A53M
14	Handle Bracket Bolt	Steel	ASTM A193
15	Packing	PTFE	ASTM D3294
16	Body Gasket	PTFE	ASTM D3294
17	Seat Ring	RPTFE 15% GF	ASTM D4894
18	Back Seat O-Ring	PTFE	ASTM D3294
19	Handle Grip	Red Foam Rubber	ASTM D 749
20	Body Cap	Cast Iron	ASTM A126 Class B

RATING

- 125 psi WSP
- 200 psi WOG
- 353° F



DIMENSIONS

	1/2"	3/4"	1"	1 1/2"	2"	2 1/2"	3"	4"	6"	8"	10"
A Face to Face	4.25"	4.625"	5"	6.5"	7"	7.5"	8"	9"	10.5"	11.5"	13"
B Center of Port to Top	4.25"	4.25"	4.75"	6"	6.5"	7.5"	8.25"	9"	12"	12.25"	13.5"
C Flange Diameter	3.5"	3.875"	4.25"	5"	6"	7"	7.5"	9"	11"	13.5"	16"
D Center of Valve to Handle End	11.875"	11.875"	11.875"	12.25"	12.5"	14"	14"	16"	30.5"	30.5"	33.625"
E Port Diameter	0.5"	0.75"	1"	1.5"	2"	2.5"	3"	4"	6"	6"	7.875"
Bolt Holes	4	4	4	4	4	4	4	8	8	8	12
Weight lbs.	6	7	10	17	24	43	50	77	149	190	309
CV	26	50	100	260	500	750	1245	2500	5470	4150	6700
Mounting Pad				F07	F07	F10	F10	F10	F12	F12	F12

OPERATING TORQUES

Size	Torque (ft. lbs.)
1/2"	10
3/4"	10
1"	10
1 1/2"	20
2"	35
2 1/2"	48
3"	62
4"	130
6"	260
8"	360
10"	535

PROJECT:	SUBMITTED BY:

AMERICAN VALVE

4321 PIEDMONT PARKWAY, GREENSBORO, NC 27410
PHONE: 800-645-0101 • EMAIL: SALES@AMERICANVALVE.COM